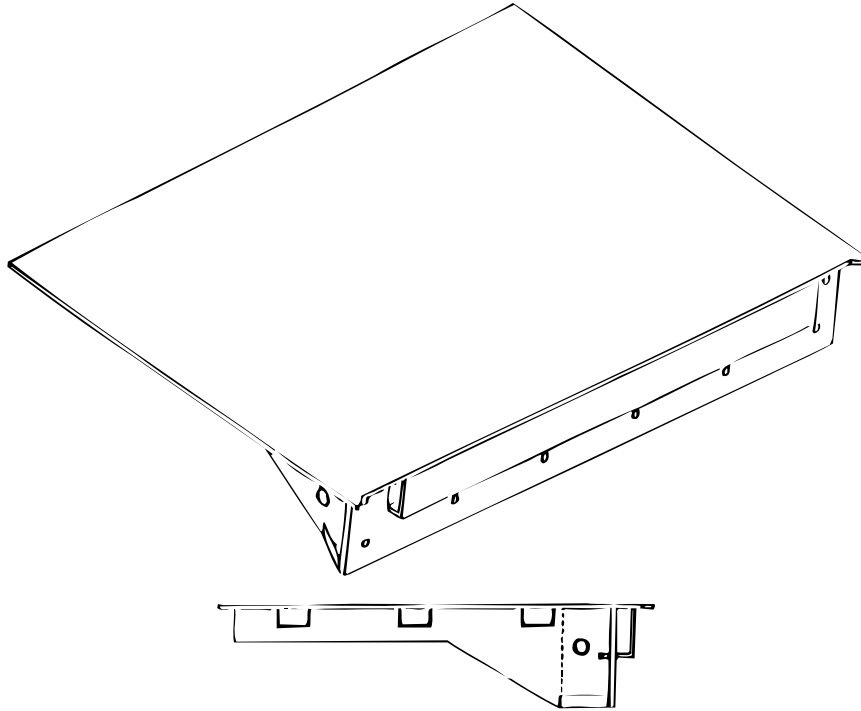


ReTech's

Unique "A/R" Ram Plate



- Top plate is 5/8 inch thick "abrasive resistance" plate.
- Heavy duty reinforced ram with channel and ribs.
All channels and ribs are double welded.
- Heavy duty double row roller bearings, 2 inches wide.
- Roller bearings mounted with eccentric bushings
for ease of adjustment.
- Roller bearings mounted on a solid steel foundation.

ReTech's Unique A/R Ram Plate...

...with its' heavy duty reinforcements enabled large heavy items to be safely dumped into the hopper from overhead forklifts or conveyors without ram damage. In fact, the ReTech has a long record of up to 1500 pound purgings being dropped without damage. The 2 inch wide double row roller bearings ensure track alignment and low maintenance.

Vecoplan, LLC

